

Painting by Laura Blaker

MCT

CENTER FOR THE
PERFORMING ARTS

RENTAL GUIDE

200 N Adams St
Missoula, MT 59802

MCTinc.org
(406)829-5222



Thank you for choosing the MCT Center For The Performing Arts for your next event. The following pages highlight the spaces we have available for rent. Feel free to reach out with any questions you may have or to book a rental with us. (406)829-5222 or facilities@MCTinc.org.

THEATRE

Capacity: 302 seats

Rate: \$900/Day (includes lobby and stage)

Security Deposit: \$500



- 302 permanent seats
- Spacious and dramatic two-story lobby and reception area
- Generous concessions area complete with catering kitchen
- State-of-the-art lighting and sound systems
- Permanent catwalks
- Fully-equipped dressing, makeup, and shower areas
- Private "star" dressing room/restroom
- Spacious green room
- Fully ADA accessible
- Ample parking

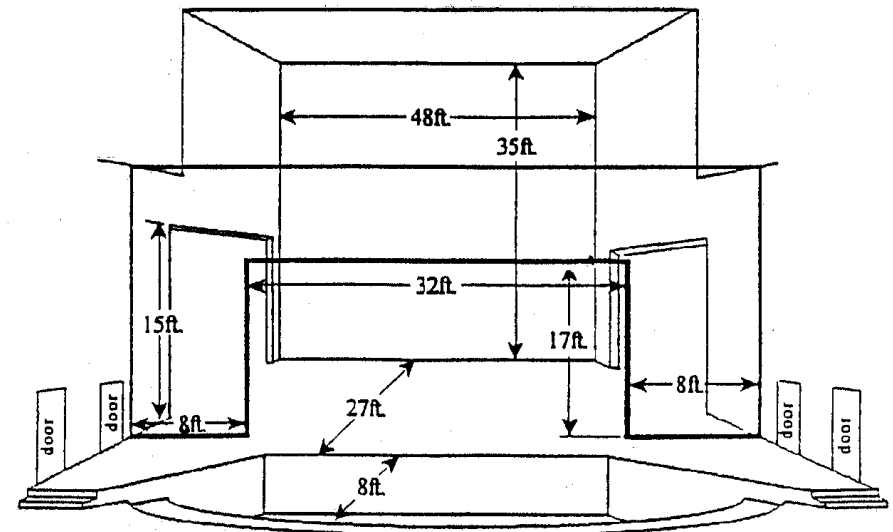
Our Production Department can provide theatrical light design for all your event needs. (Upon availability and for a nominal fee)

STAGE

- 38'w x 27'd
- Fully-trapped stage
- 15ft wide door to stage
- Two-level, Broadway-style orchestra pit for 24 pieces
- Independent Stage Manager's console
- Full fly loft
- Electronic fly system

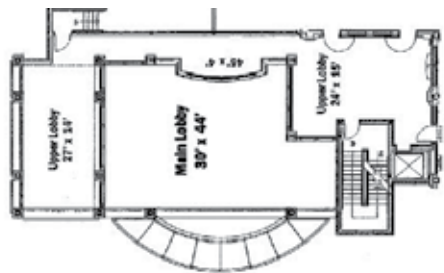


Fly Loft Backstage



LOBBY

Main: 1320 sq ft Upper: 918 sq ft
 Capacity: 280 standing, 140 with tables
 Rate: \$650/Day
 Security Deposit: \$500



- Spacious and dramatic two-story lobby and reception area
- Great space for weddings, parties, receptions, or other events
- Table/chair set-up
- Dance floor and sound system available for rent
- Spacious concession area complete with catering kitchen
- Fully ADA accessible
- Complimentary parking

MEETING ROOM

52' x 33' (includes outdoor terrace)
 Capacity: 120 auditorium style, 80 with tables
 Rate: \$50/hr or \$350/Day
 Security Deposit: \$100



"Our time at MCT was exceptional. The rental process was simple and the staff was wonderful to work with. They took ownership of our event and ensured that each of our attendees was comfortable and enjoyed a "WOW" experience.

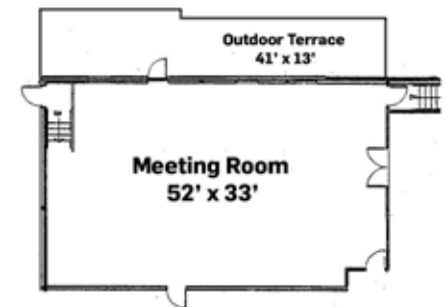
The atmosphere of the venue is bright and cheerful with great views and a nice variety of room logistics to accommodate us."

*-Alexis Hyypa
 Thrivent Financial*



Our fully ADA accessible meeting room, with an outdoor terrace, provides you with the space you need for training, presentations, or small parties.

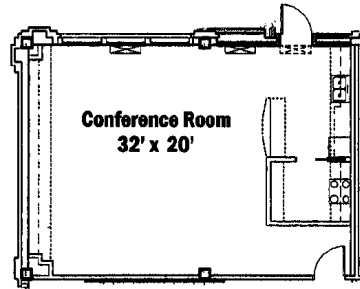
Contact us for a list of additional services and rates.



OTHER SPACES AVAILABLE

CONFERENCE ROOM • 32' x 20'

Capacity: 25
Rate: \$25/hr or \$175/day
Security Deposit: \$75

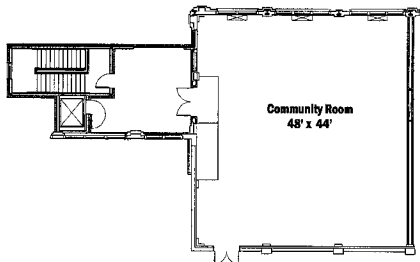


"The staff was extremely attentive to all of our event needs and made everything work seamlessly. They made it easy to have our celebration in a beautiful, functional space."

Jennifer Newbold, US District Court

COMMUNITY ROOM • 48' x 44'

Capacity: 180 auditorium style, 150 with tables
Rate: \$30/hr or \$210/day
Security Deposit: \$100



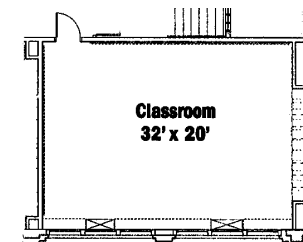
CLASSROOM 303/304 • 64' x 20'

Capacity: 120 auditorium style, 60 with tables
Rate: \$30/hr or \$210/day
Security Deposit: \$100



CLASSROOM 302 or 305 • 32' x 20'

Capacity: 60 auditorium style
30 with tables
Rate: \$15/hr or \$105/day
Security Deposit: \$75



MCT | CENTER FOR THE PERFORMING ARTS

With plenty of spaces to choose from, the MCT Center for the Performing Arts will make your event one to remember. Our Facilities Department will take care of your event from start to finish. With private parking, easy access to downtown, and a catalogue of caterers and vendors, MCT has everything you need. From conferences and fundraisers to weddings and movie premieres, MCT's staff looks forward to working with you to make your event a success.



For more information, contact:
facilities@MCTinc.org or (406)829-5222
200 N Adams St, Missoula, MT 59802